

APPLICATION:

PRODUCT NAME:
PEDESTAL GLASS AND
PITCHER FILLER

JOB NAME:

SPECIAL CONFIGURATION
 CHECK BASE MODEL AND OPTIONS

QUANTITY:

ITEM NO.

MODEL:
 1009 WITH 6" SWING SPOUT

OPTIONS OR MODIFICATIONS:
 OTHER _____

FEATURES

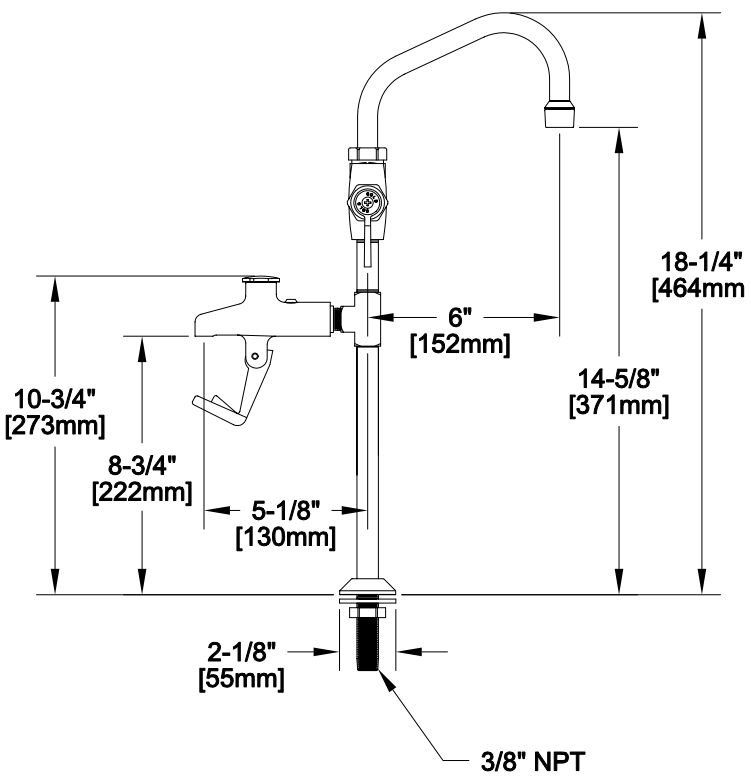
- * REPLACEABLE STAINLESS STEEL HEAD
 - * MEETS NSF 61/SEC.9**
 - * TAMPER PROOF VOLUME CONTROL
 - * HANDLES BOTH PAPER & GLASS CUPS
 - * NON-MARRING DELRIN PRONG
 - * STAINLESS STEEL SEAT SCREWS
 - * STAINLESS STEEL STREAM STRAINER
 - * 6" SWING SPOUT ROTATES 360°
- ** TESTED UNDER NSF-CSA ALLIANCE PROGRAM

SYSTEM LIMITS

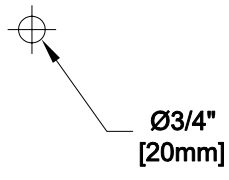
- * TEMP: 40°F MIN. TO 140°F MAX.
- * PRESSURE: 100 PSI MAX. STATIC

SHIPPING WEIGHT

- * 4.25 LBS



ROUGH-IN:



FISHER MANUFACTURING COMPANY
 TOLL FREE: 800-421-6162 - FAX: 800-832-8238
 information@fisher-mfg.com - www.fisher-mfg.com